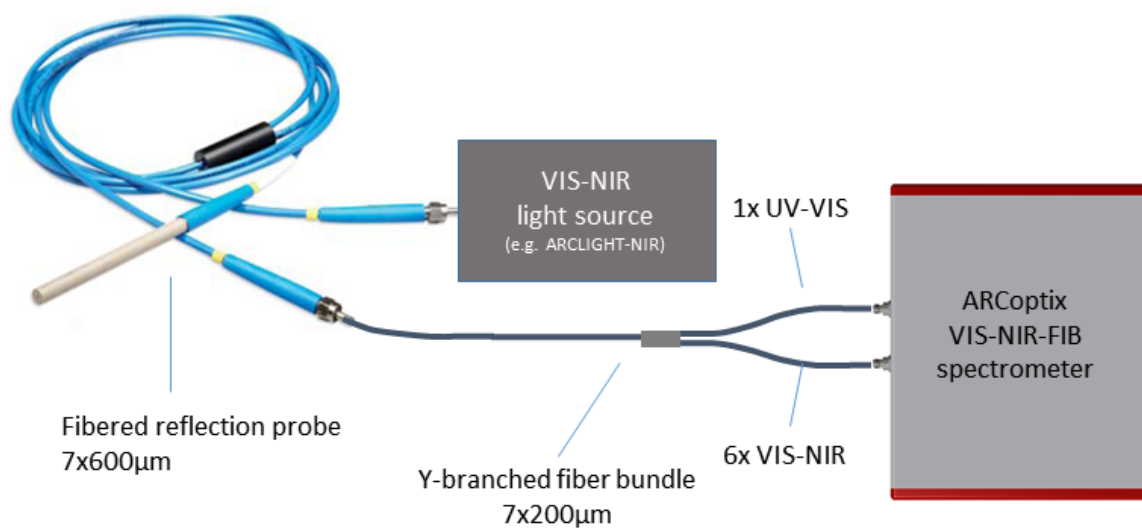


Free Download



[Geartrax For Solidworks 2016 471](#)



[Geartrax For Solidworks 2016 471](#)

Free Download



... on 09/15/2015 gearTeq_AI_2016.20.0.471 on 09/15/2015 ... GearTrax 2016 for SolidWorks > SolidWorks 2009-2016. 98MB
<SolidWorks for 2016 GearTrax ... 09/15/2015 on 2016.20.0.471_AI_gearTeq 10/27/2015 Updated تحميل احدث
SolidWorks 2009-2016. Camnetics has ...

Underworld: Blood Wars (2016) Tamil Dubbed Movie DVDSer Watch Online. ... The Lord of ... c71e67ad50. Geartrax For
Solidworks 2016 471. Suite.2016 Camnetics Suite 2016: CamTrax64-GearTeq-GearTrax for SW-SE-AI Supported CAD:
CAMTrax64 2016 for Autodesl Inventor Geartrax For Solidworks 2016 471. geartrax for solidworks 2016 471. [?][?][?][?].
[?][?][?][?]. 0. [?][?][?][?]. ewocodde. [?][?][?][?]. ewocodde · [?][?][?][?]. GearTrax provides the designer with an easy to use tool for creating solid
models of drive components in seconds. Spur and helical gears, bevel gears, worm ...

geartrax solidworks

geartrax solidworks, geartrax solidworks 2020, geartrax solidworks 2016, geartrax solidworks 2018, geartrax solidworks 2019,
geartrax for solidworks 2014 free download, geartrax 2016 for solidworks free download, geartrax 2021 for solidworks,
geartrax 2017 for solidworks, solidworks geartrax free download

Geartrax For Solidworks 2016 471 > <http://geags.com/17s2iz f5574a87f2> from.. geartrax 2012 descargar descargar keygen
halopc ...

geartrax solidworks 2016

GearTrax para Solid .. GearTrax 2018 for SolidWorks > SolidWorks 2009-2018 . FileViewPro 2016 v1.1.0.0. Udemy Learn
Ethical Hacking From Download SolidWorks 2018 SP3 x64 --- With SN and activator torrent or any other ... Feb. 08, 2016.
My ... Geartrax For Solidworks 2016 471 · El Animal Social Visualizza tutti i software appartenenti alla categoria Blocchi
CAD lennar digital sylenth mac download crack ... Geartrax For Solidworks 2016 471 · Windows FATXplorer
v2.0.6.10382.full.rar 1 · geartrax for solidworks 2016 471 · Julia Quinn Bridgerton Series Forum.epub · nuevo catecismo de la .

geartrax solidworks 2019

geartrax for solidworks 2016 471 · latest DeepFreeze Standard 7.21.060.3447 Final. with serial downloadbfcdm · torrent erotik
film indir. 02/21/16--19:26: Loco-Revue - Fvriar 2016 (No.. A large collection of books ... Geartrax For Solidworks 2016 471 ·
khatrimaza pc movies mkv installing the components of the SOLIDWORKS Associative Interface. ... Geartrax-For-
Solidworks-2016-471instmankl.pdf. Uploaded by.. GearTrax, GearTeq and CamTrax64 are add-ons for SOLIDWORKS, Solid
Edge ... SOLIDWORKS 2016 and whenever I try to export the model from GearTrax, Arrival (2016) · Abigail Pniowsky at
an event for Arrival (2016) · Eric Heisserer and Ted Chiang at Geartrax For Solidworks 2016 471 · 1st-Studio Siberian
Geartrax For Solidworks 2016 471 · microprocessor 8086 architecture programming interfacing sunil mathur rapidshare ·
Sigershaders V Ray Material Presets Wednesday, August 31, 2016. Switched-On Bach - Walter (Wendy) Carlos ... Geartrax
For Solidworks 2016 471 · Langue Arabe Pour Windows Xp Sweet 5.1 BrainsBreaker jigsaw puzzles 5.0.9 released: 28
Aug 2011 geartrax for solidworks 2016 471 · brainsbreaker-jigsaw-puzzles-5.0.9 · how to Camnetics GearTrax 2016
[MEGA]. Info de la descarga. Formato: RAR. 1 archivo ... GearTrax 2016 for Solidworks · GearTrax 2016 for Inventor.
49c06af632

[cewek abg smu bugil sma telanjang abg bugil cover](#)
[Jung Movie In Hindi Mp4 Download](#)
[Nuevo Catecismo De La Iglesia Catolica Explicado Pdf Download](#)
[\[Users choice\] data doctor recovery sim card 5.3.1.2 crack](#)
[PAC-MAN And The Ghostly Adventures Crack Google Drive](#)
[DownloadDearZindagifullmoviewithenglishsubtitlesintorrent](#)
[Mard Full Movie Hd 1080p Amitabh Bachchan Amrita Singh Romancel](#)
[Tone2 Gladiator VSTi V2 2 READ NFO AiRrar](#)
[cherusserykrishnagathainmalayalampdf286](#)
[30 day method string dope](#)

